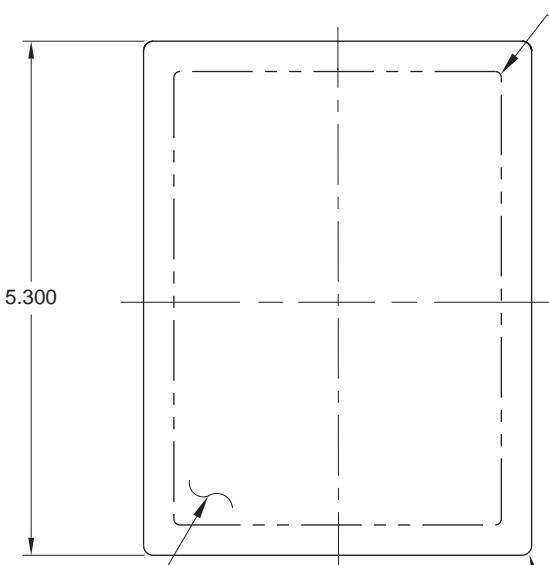
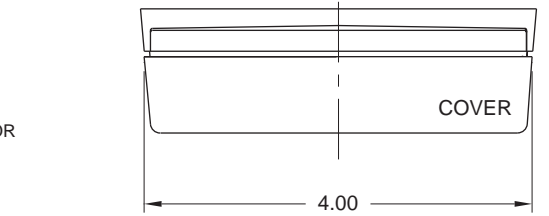
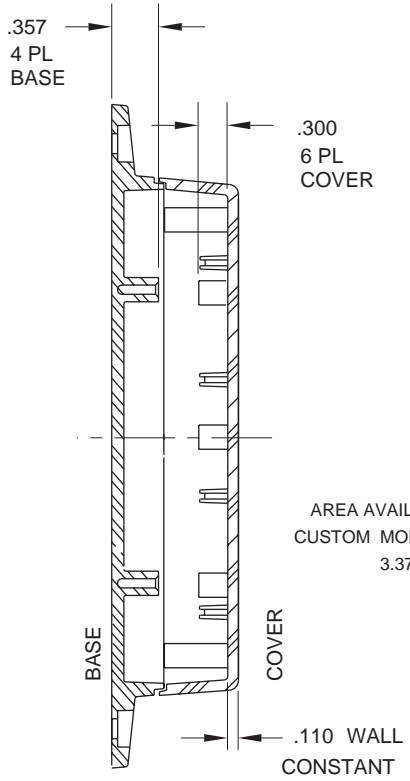
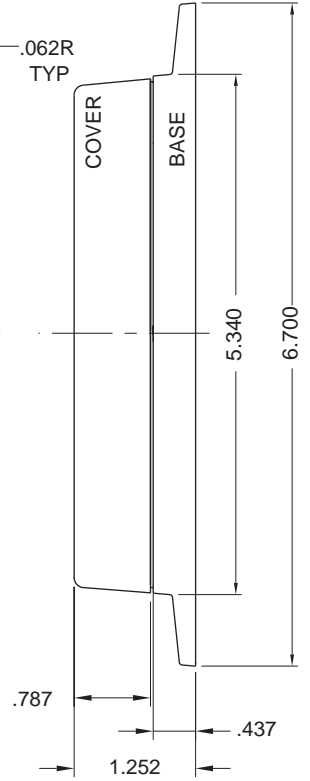
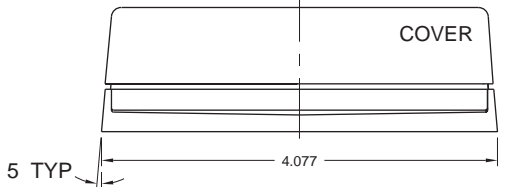


NOTES:

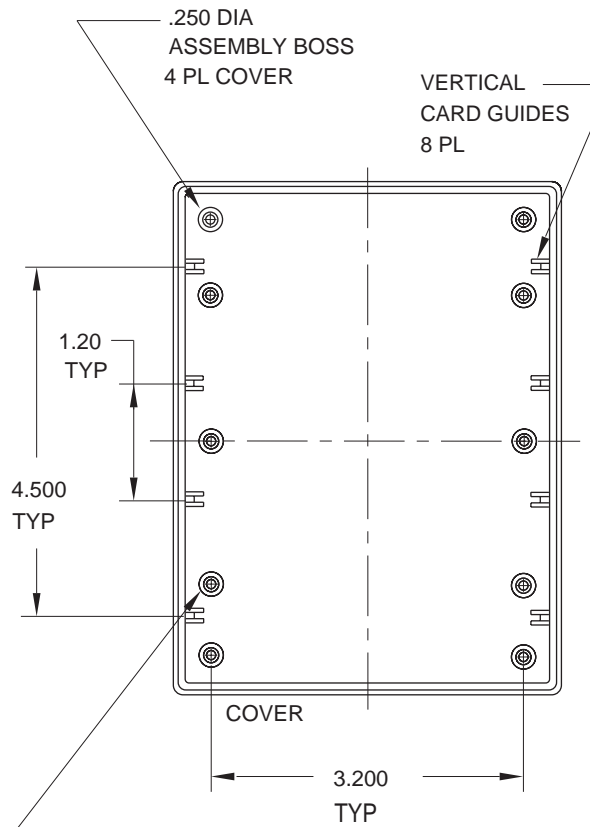
- 1 DIMENSIONS TO BE SYMMETRICAL ABOUT CENTERLINES WITHIN .010 TIR.
- 2 EXTERIOR SURFACES FEATURE LIGHT TEXTURE.
- 3 STANDARD LABEL RECESSES ARE AVAILABLE; CONTACT SUNFLOWER MANUFACTURING, INC. FOR DETAILS AND OPTIONS.
- 4 ASSEMBLY HARDWARE PROVIDED.
- 5 CUSTOM MACHINED HOLES, CUTOUTS, SCREEN PRINTING, GRAPHICS, AND OTHER CUSTOM SERVICES AVAILABLE FROM SUNFLOWER MANUFACTURING, INC.



AREA AVAILABLE FOR
CUSTOM MODIFICATION:
3.375 X 4.670



INTERIOR DETAILS



.250 DIA
MOUNTING BOSS
6 PL COVER &
BASE. USE #4
SELF-THREADING
OR SHEET METAL
SCREWS.

NOTICE: THE INFORMATION AND DATA CONTAINED HEREIN IS CONSIDERED PROPRIETARY TO SUNFLOWER MANUFACTURING, INC., AND SHALL REMAIN THE EXCLUSIVE PROPERTY OF SUNFLOWER MANUFACTURING, INC. THE HOLDER WILL ASSUME CUSTODY AND CONTROL THAT THIS DOCUMENT WILL NOT BE COPIED, REPRODUCED, OR DISCLOSED WITHOUT THE EXPRESS WRITTEN CONSENT OF SUNFLOWER MANUFACTURING INC., POSSESSION OF THIS DOCUMENT DOES NOT CONSTITUTE A GRANT TO MANUFACTURE ANY ITEMS. DO NOT SCALE DRAWING.

DATE	LTR	REVISION	CHK

UNLESS OTHERWISE NOTED DIMENSIONS ARE IN INCHES.

TOLERANCES ARE:

DECIMALS: .XX = .015
.XXX = .010

ANGLES: = 1 DEGREE

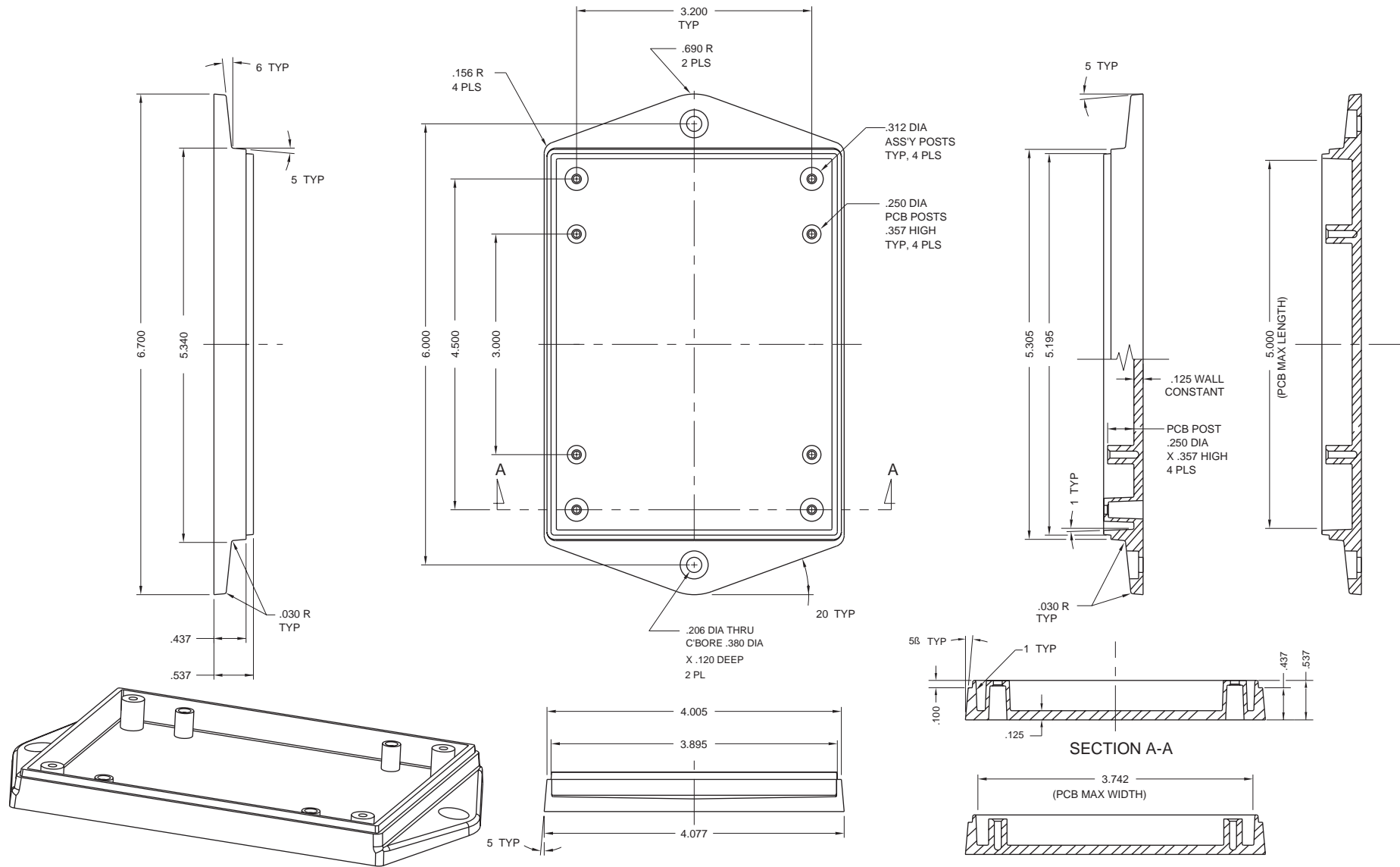
MATERIAL	
HIGH IMPACT ABS	
APPROVALS	DATE
DRAWN CC	10/6/95
CHECKED JWR	10/9/95
SCALE	SIZE
NONE	A

UNIBOX ENCLOSURES
4330 SANTA FE ROAD SAN LUIS OBISPO, CA 93401
PHONE (805) 785-0900 FAX (805) 785-0948

TITLE
ENCLOSURE ASSEMBLY
CUSTOMER INFORMATION DRAWING

DWG
UNIBOX P/N # 740

SHEET 1 OF 2	REV A
-----------------	----------



NOTICE: THE INFORMATION AND DATA CONTAINED HEREIN IS CONSIDERED PROPRIETARY TO SUNFLOWER MANUFACTURING, INC., AND SHALL REMAIN THE EXCLUSIVE PROPERTY OF SUNFLOWER MANUFACTURING, INC. THE HOLDER WILL ASSUME CUSTODY AND CONTROL THAT THIS DOCUMENT WILL NOT BE COPIED, REPRODUCED, OR DISCLOSED WITHOUT THE EXPRESS WRITTEN CONSENT OF SUNFLOWER MANUFACTURING INC., POSSESSION OF THIS DOCUMENT DOES NOT CONSTITUTE A GRANT TO MANUFACTURE ANY ITEMS. DO NOT SCALE DRAWING.

DATE	LTR	REVISION	CHK

UNLESS OTHERWISE NOTED DIMENSIONS ARE IN INCHES.

TOLERANCES ARE:

DECIMALS: .XX = .015
.XXX = .010

ANGLES: = 1 DEGREE

MATERIAL		UNIBOX ENCLOSURES	
HIGH IMPACT ABS		4330 SANTA FE ROAD SAN LUIS OBISPO, CA 93401 PHONE (805) 785-0900 FAX (805) 785-0948	
APPROVALS	DATE	TITLE	
DRAWN CC	10/6/95	ENCLOSURE ASSEMBLY CUSTOMER INFORMATION DRAWING	
CHECKED JWR	10/9/95	DWG	
SCALE NONE	SIZE A	UNIBOX P/N #	740
		SHEET	REV
		2 OF 2	A